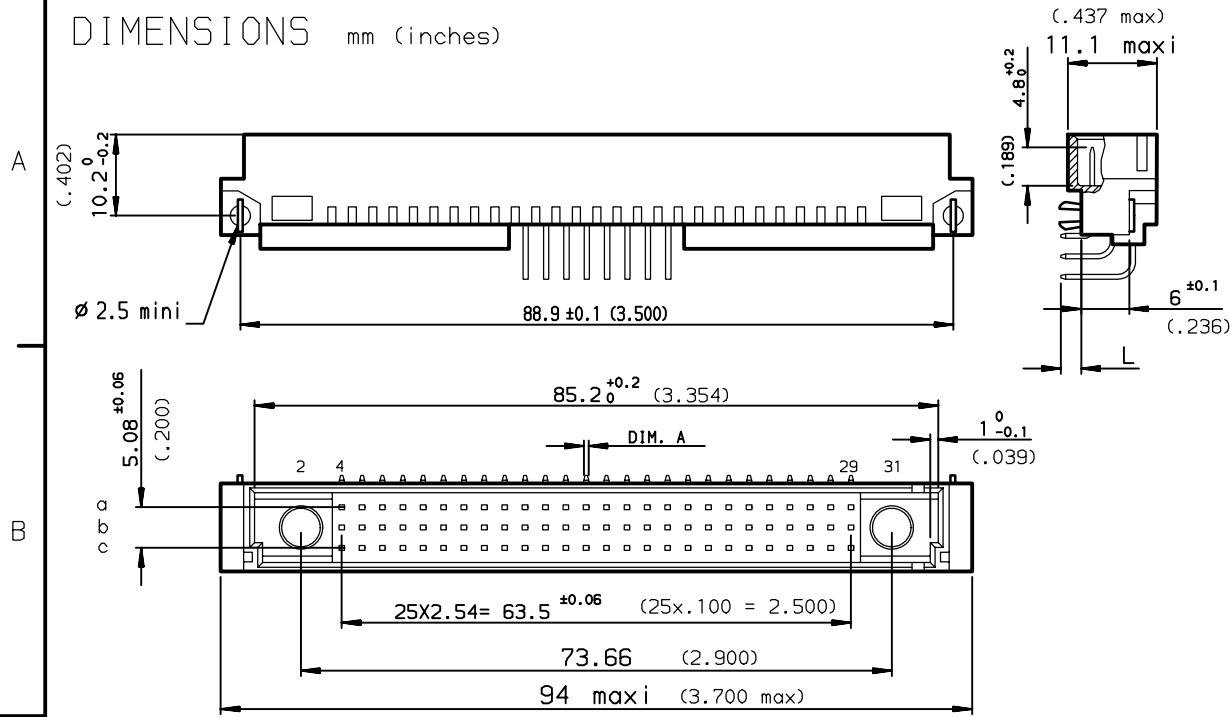


DIMENSIONS mm (inches)



GENERAL CHARACTERISTICS AND ROHS INFORMATIONS:
SEE DRAWING C-8609-0000A

TIN LEAD	LEAD FREE	
8609 378 A1 13 755 000 E1	8609 378 A1 13 755 E1 LF	Style M header, 78 Position, solder to board, class 2

Application specific part-numbers: See sheet 2

European Views

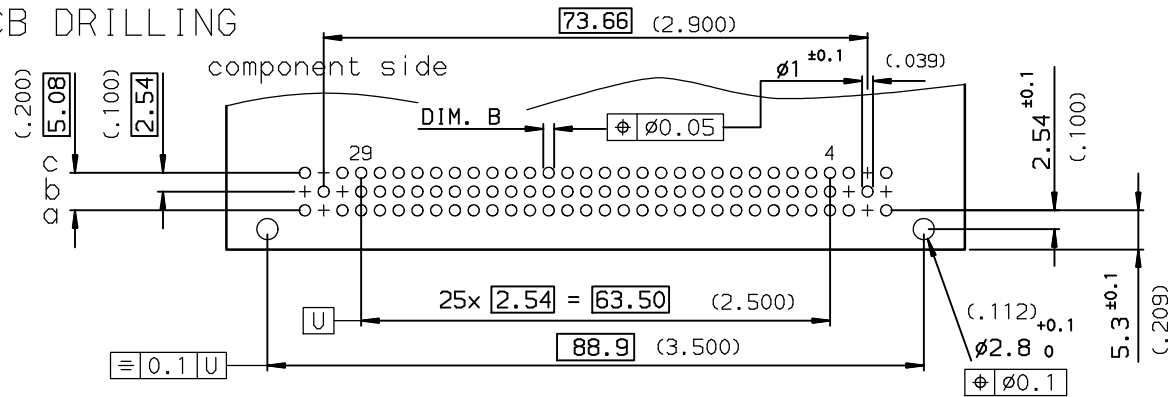
www.fciconnect.com		surface ISO 1302 ✓	tolerance std ISO 406 ISO 1101	projection mm	size A3	Scale 1.5
TOLERANCES UNLESS OTHERWISE SPECIFIED						
Dr	ROUILLARD	1992/09/16	ANGULAR	0.X	±0.1	ECN L506-0097
Eng	TARON	1992/09/16	LINEAR	0.XX	±0.1	
Chr	LEGARE	1992/09/16	0.XX' ±2'	0.XXX	±0.1	
Appr	LEGARE	1992/09/16	Product family	DIN 8609		Spec ref -
rev	ecn no	dr	date	FCI title RIGHT ANGLE HEADER - STYLE M		
E	-	ROU	2002/08/30	SOLDER TO BOARD		
F	L505-001	JTA	2005/03/04	catalog no	-	CUSTOMER sheet 1 of 1
G	L506-0097	LGO	2006/07/11	dwg no	C-8609-0309-1	Rev. G
-	-	-	-			
-	-	-	-			
-	-	-	-			



Copyright FCI.

PART NUMBER	8609		A1			5	
PIN OUT	rows a-b-c	---	3	78			
	rows a-c	---	4	52			
NUMBER OF CONTACTS							
TERMINATION							
L = 2.75 ±0.15 (.108)	A = ∅0.6 ⁰ _{-0.08}	B = ∅0.8 ⁰ _{+0.3}				13	
L = 4.15 ±0.15 (.163)	A = 0.6X0.6	B = ∅1±0.1				23	
no option						7	
with harpoons						H	
DIN 41612 class 3							4
DIN 41612 class 2							
DIN 41612 class 1							
TERMINATION TYPE							
TIN LEAD							: 000E1
LEAD FREE							: E1LF

PCB DRILLING



GENERAL CHARACTERISTICS AND ROHS INFORMATIONS:

SEE DRAWING C-8609-0000A

European Views

www.fciconnect.com		surface ISO 1302	tolerance std ISO 406 ISO 1101	projection mm
		TOLERANCES UNLESS OTHERWISE SPECIFIED		
Dr	ROUILLARD	1992/09/16	0.x ±0.1	size A3
Eng	TARON	1992/09/16	0.xx ±0.1	Scale 1.5
Chr	LEGARE	1992/09/16	0.xxx ±0.1	ECN LS06-0097
Appr	LEGARE	1992/09/16	Product family	Spec ref -
title		RIGHT ANGLE HEADER - STYLE M		Rev. G
catalog no		-		CUSTOMER sheet 1 of 1

rev	ecn no	dr	date
E	-	ROU	2002/08/30
F	LS05-001	JTA	2005/03/04
G	LS06-0097	LGO	2006/07/11
-	-	-	-
-	-	-	-
-	-	-	-



Copyright FCI.